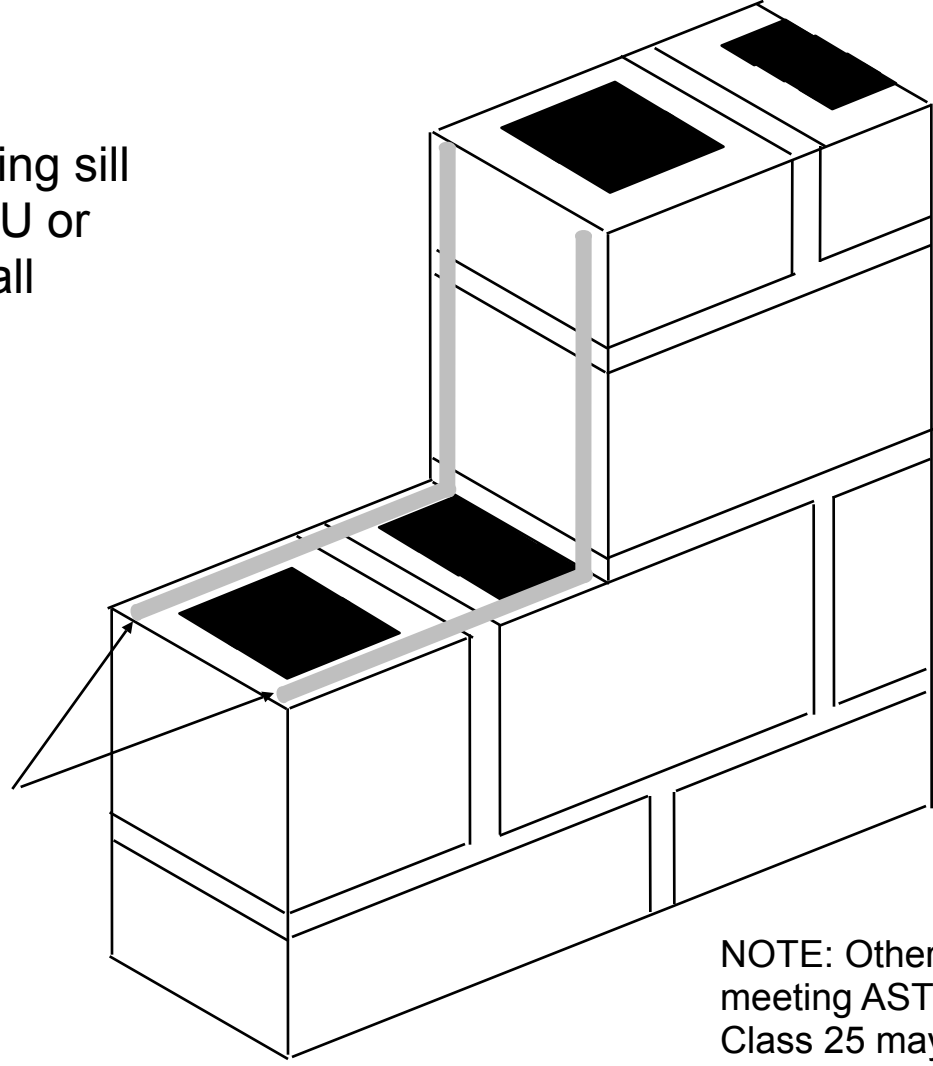


# Detailing of Lumber Window Buck in CCW Air & Vapor Barrier Installation

Rough opening sill  
corner – CMU or  
Concrete Wall

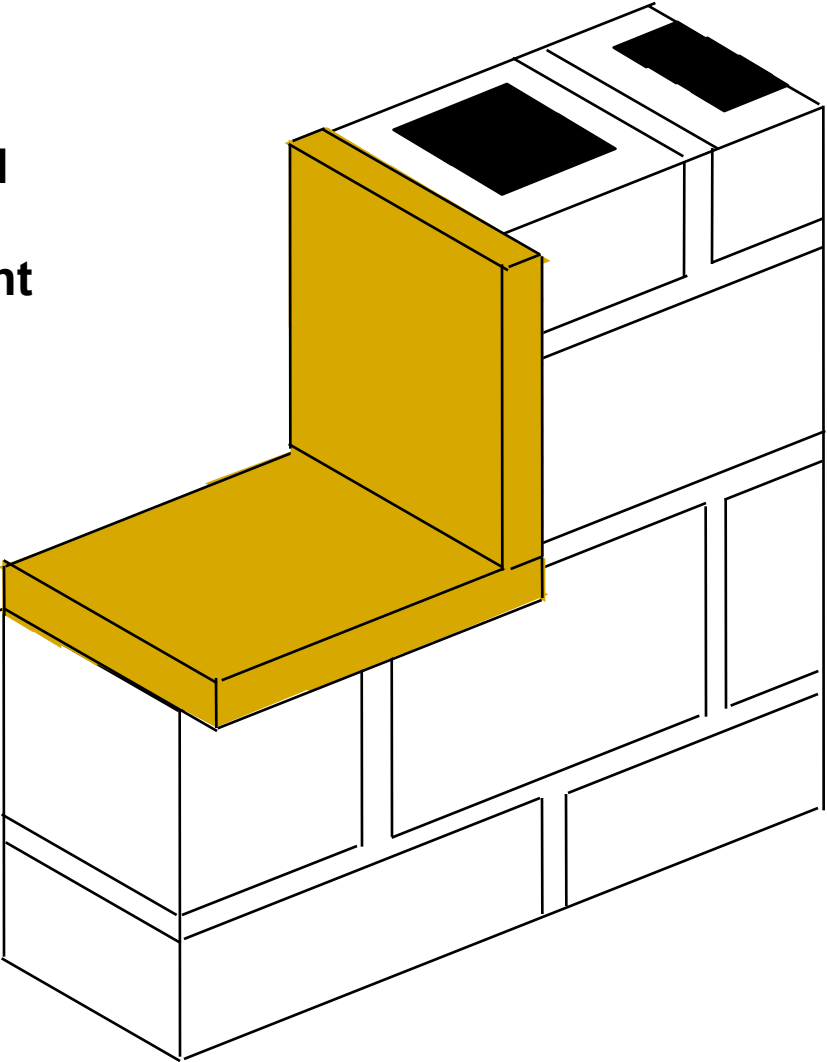
# SILL CORNER DETAIL



2 continuous  
1/2" diameter  
beads of  
CCW-201 or  
PT-304  
urethane  
sealant

NOTE: Other sealant  
meeting ASTM C 920,  
Class 25 may be  
substituted

**Pressure-treated  
lumber buck,  
bedded in sealant  
and fastened in  
place**

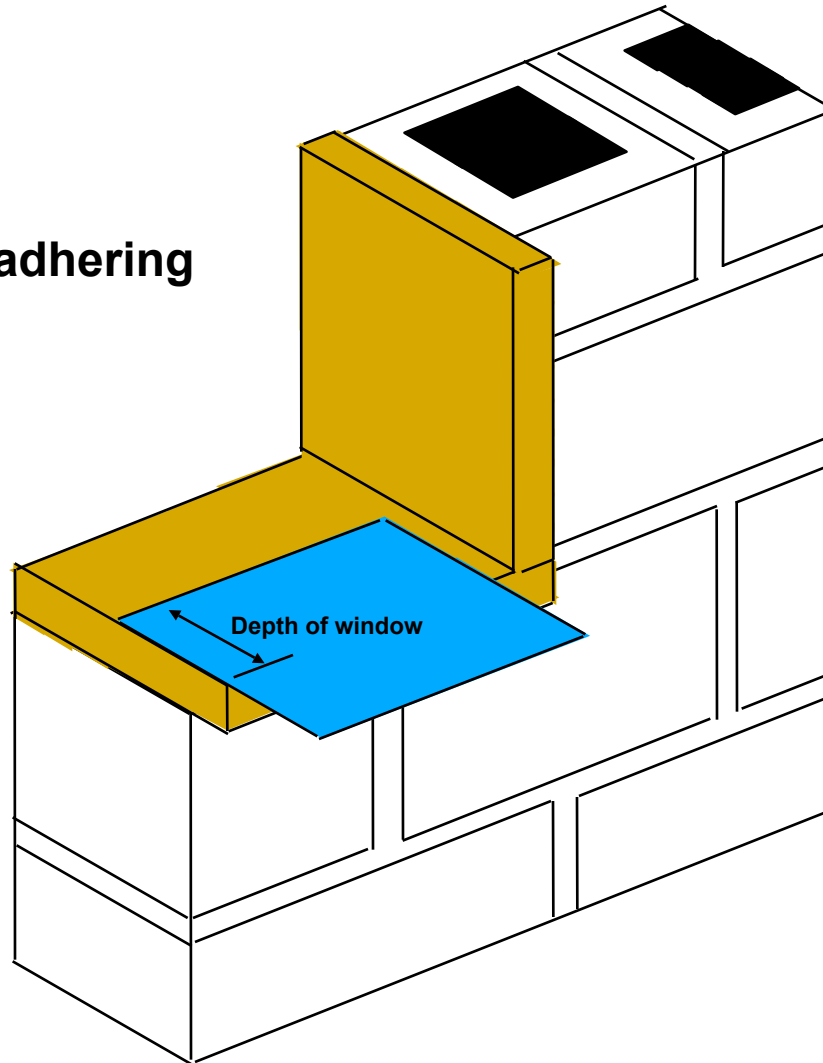


**SILL  
CORNER  
DETAIL**

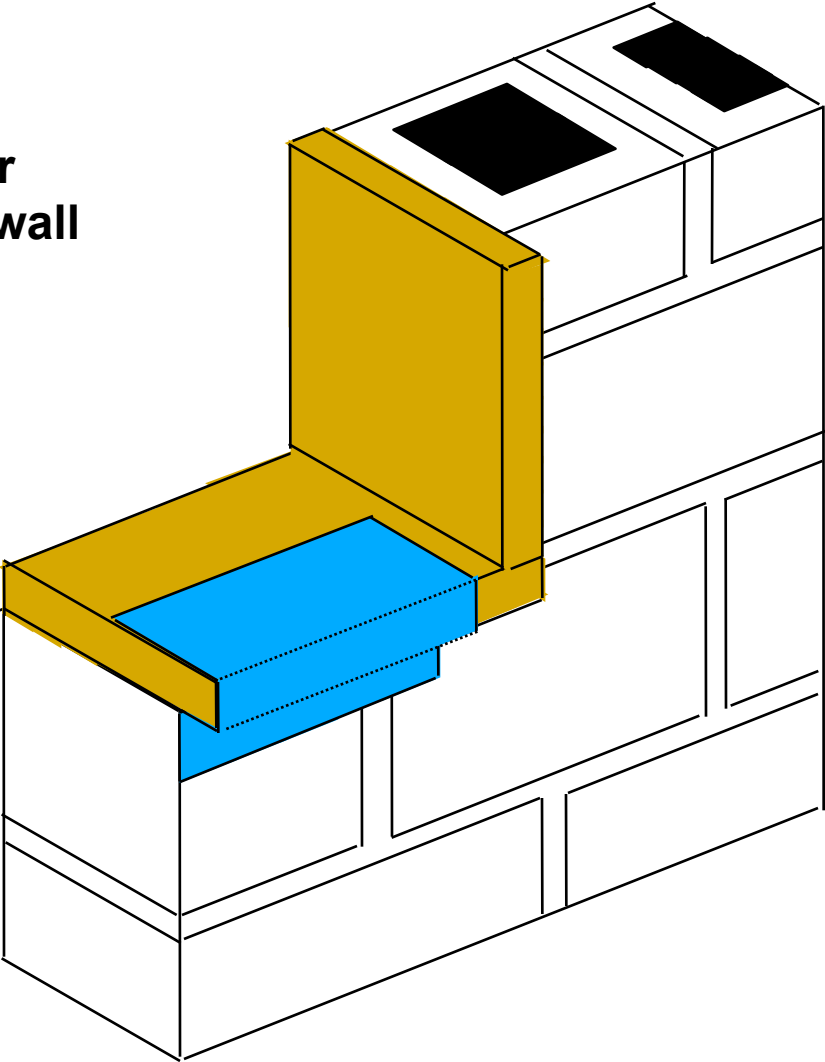
## Bond CCW-705 self-adhering flashing across sill

NOTE 1 : Prime all surfaces over which CCW-705 will be bonded

NOTE 2 : Use CCW-702, CCW AWP or CAV-GRIP primer.



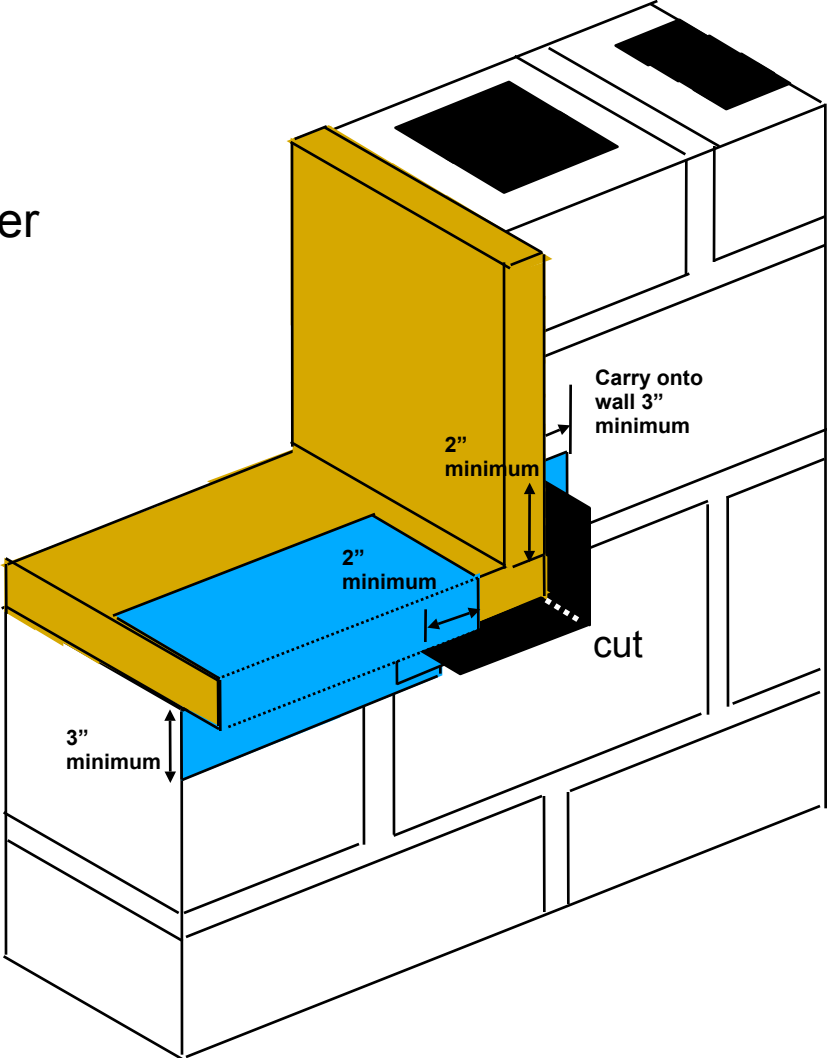
**Fold CCW-705 over  
buck and bond to wall  
surface**



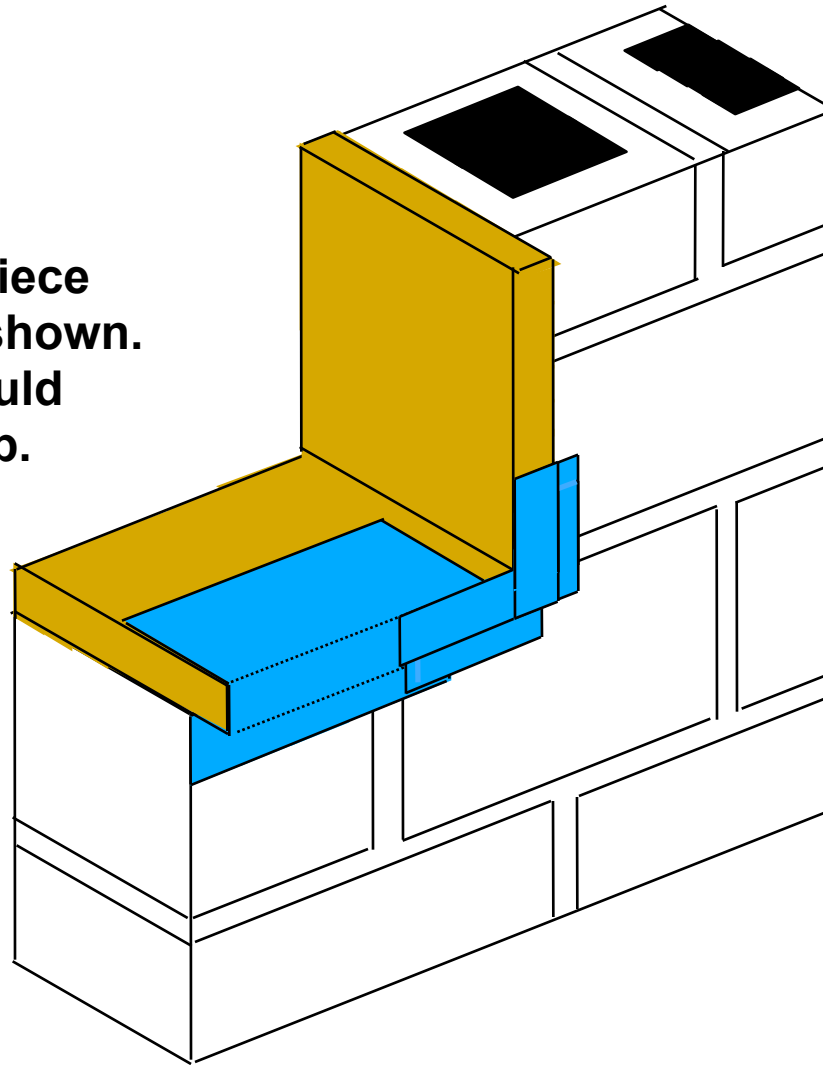
**SILL  
CORNER  
DETAIL**

Bond a piece of CCW-705 in corner as shown.

# SILL CORNER DETAIL

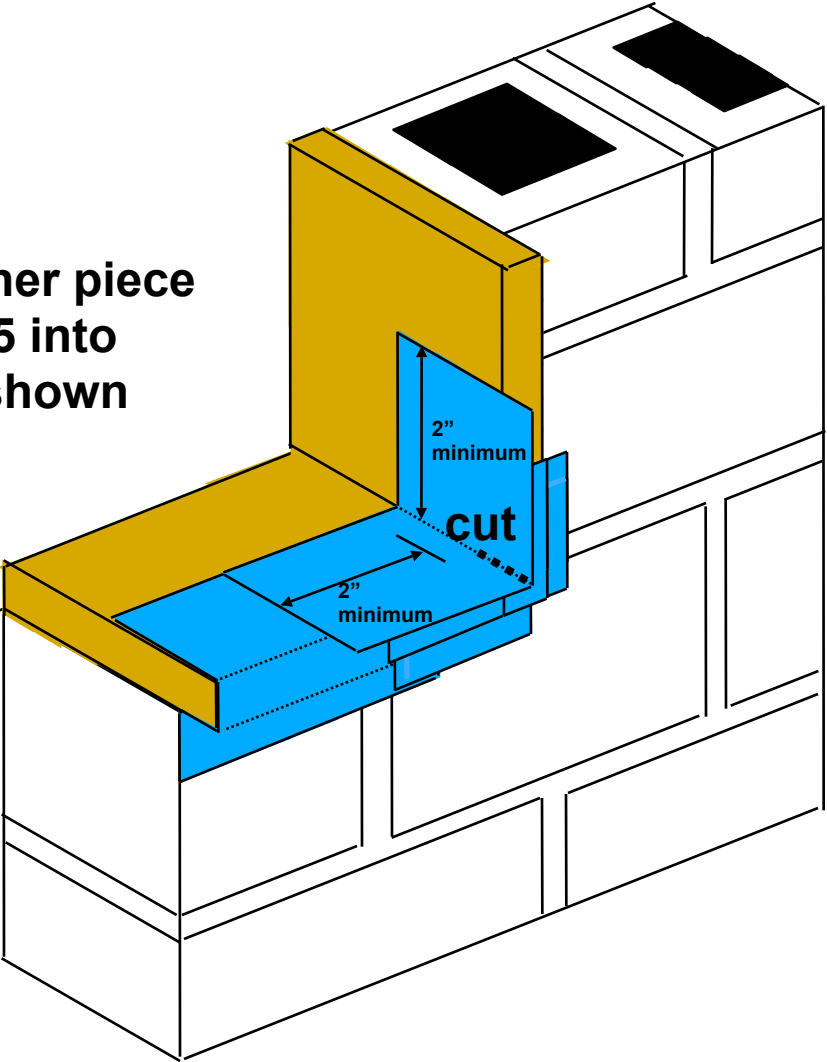


**Bond corner piece  
onto buck as shown.  
Jamb flap should  
overlap sill flap.**



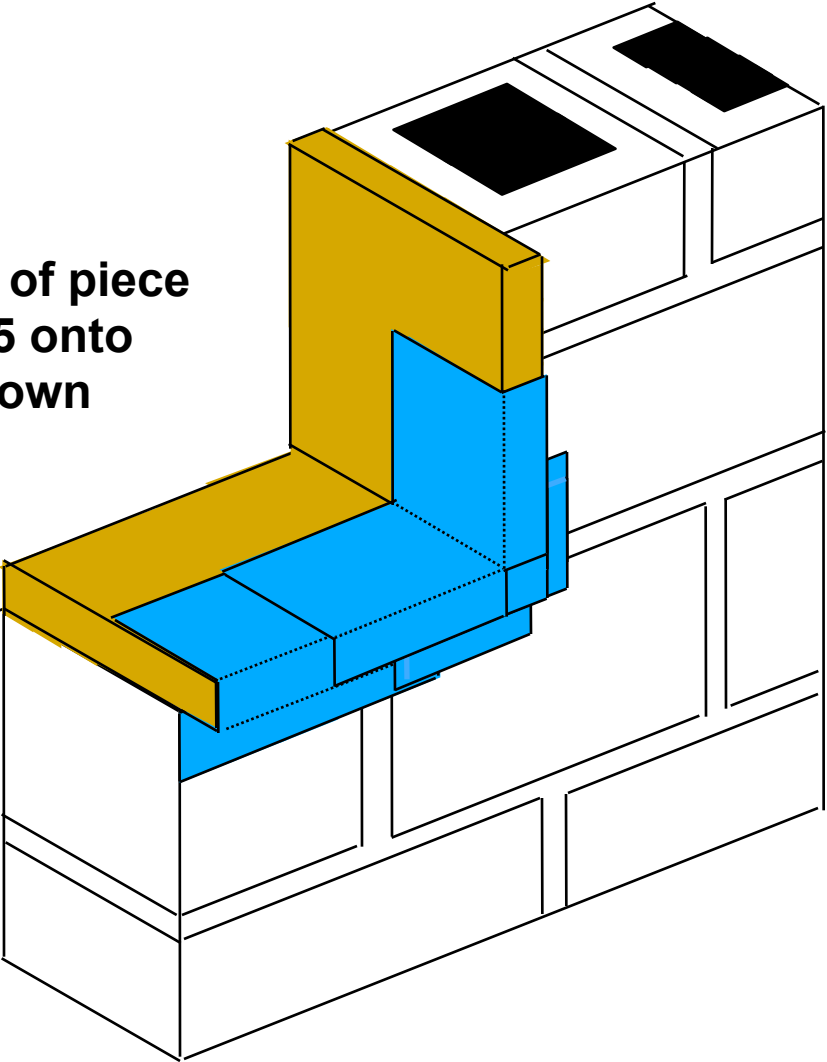
**SILL  
CORNER  
DETAIL**

**Bond another piece  
of CCW-705 into  
corner as shown**

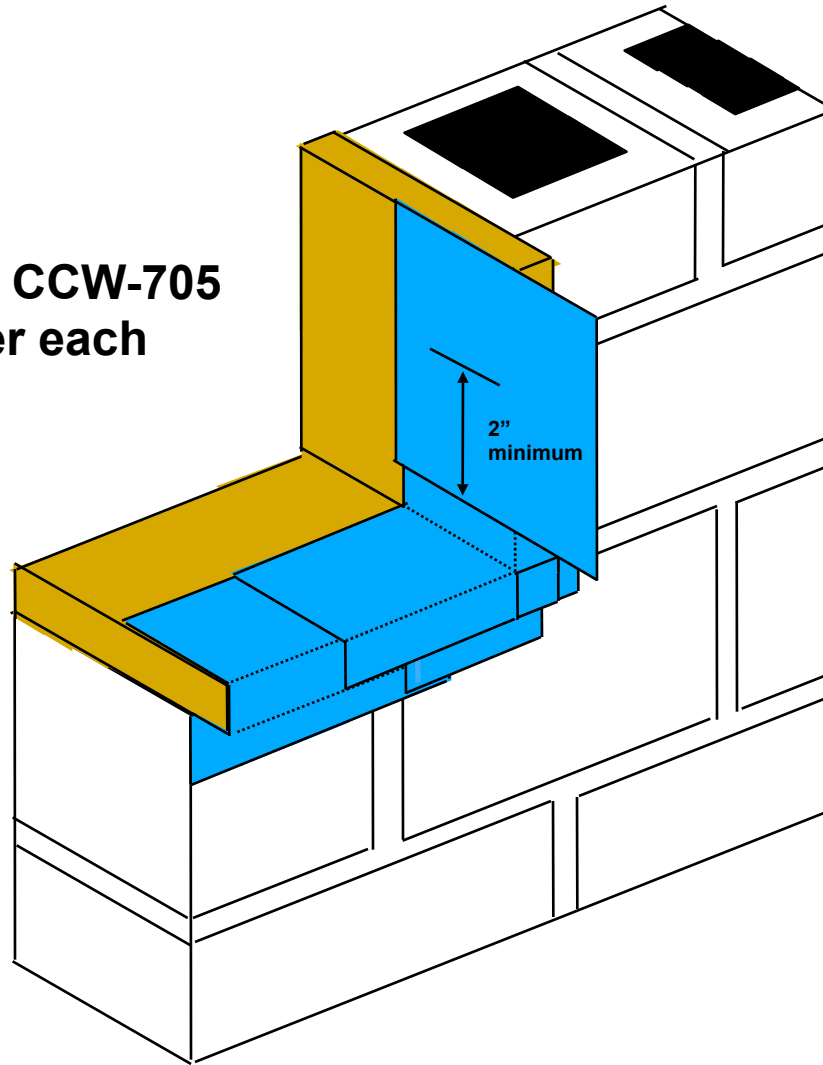


**SILL  
CORNER  
DETAIL**

**Bond flaps of piece  
of CCW-705 onto  
buck as shown**

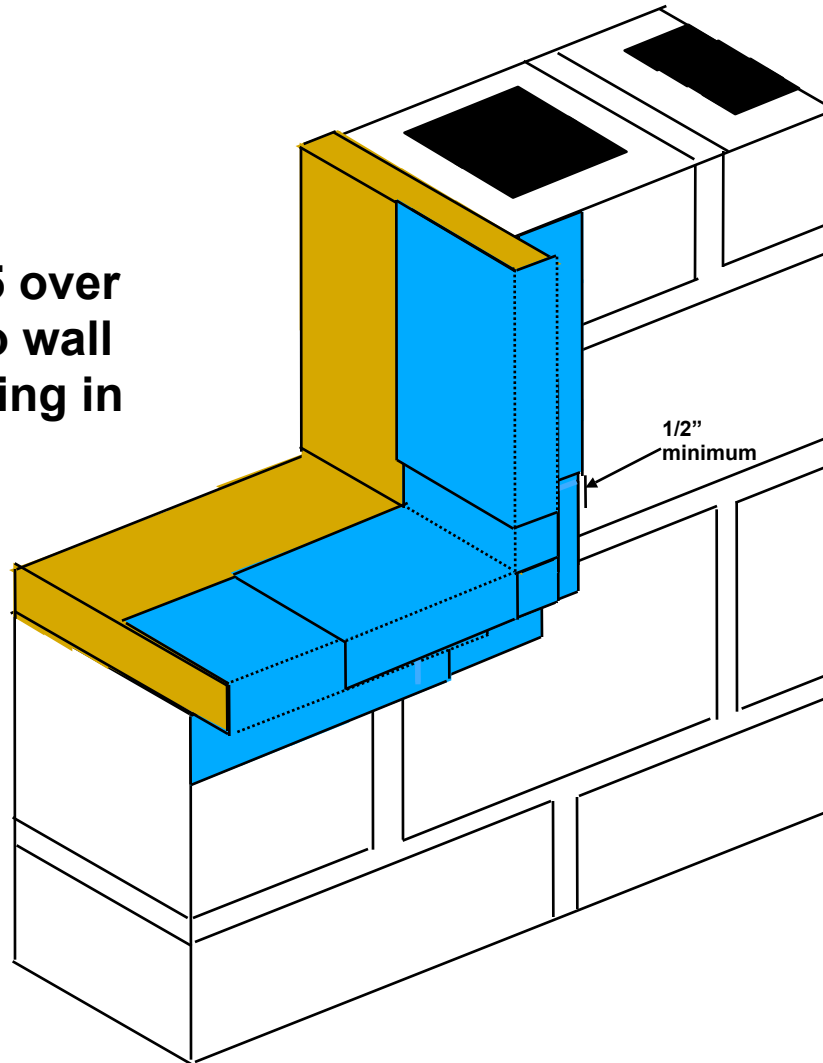


**Bond piece of CCW-705  
onto buck over each  
jamb shown**



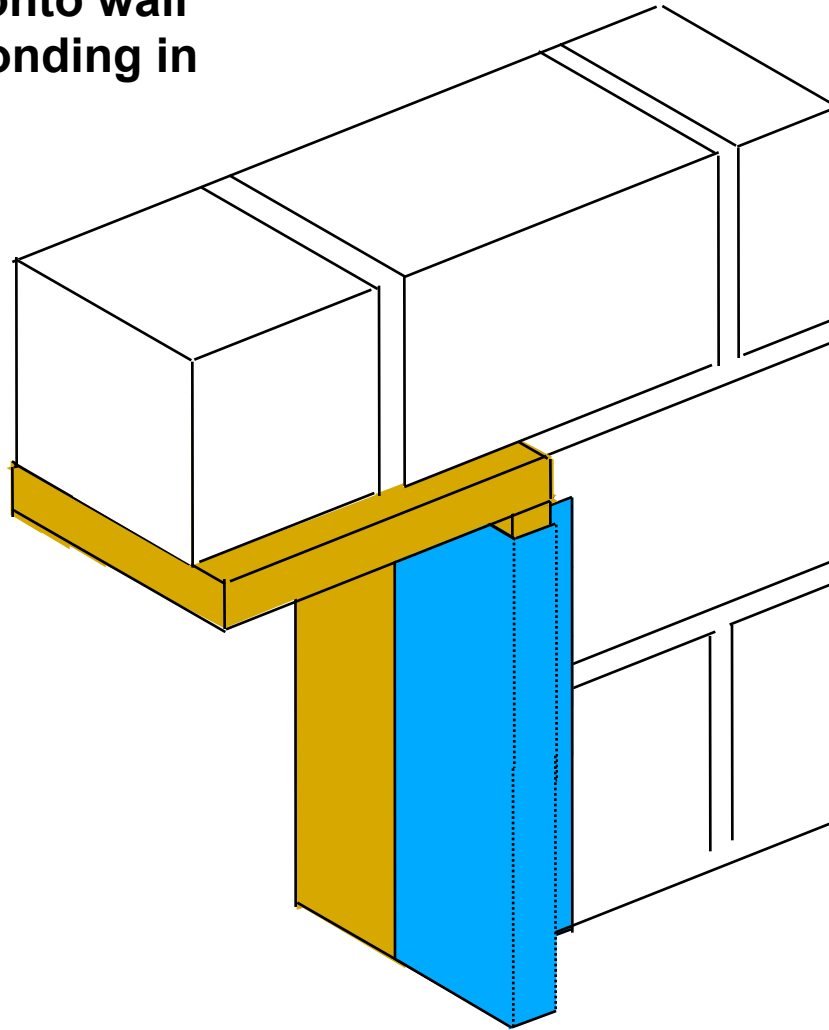
**SILL  
CORNER  
DETAIL**

**Fold CCW-705 over  
buck and onto wall  
surface, bonding in  
place**



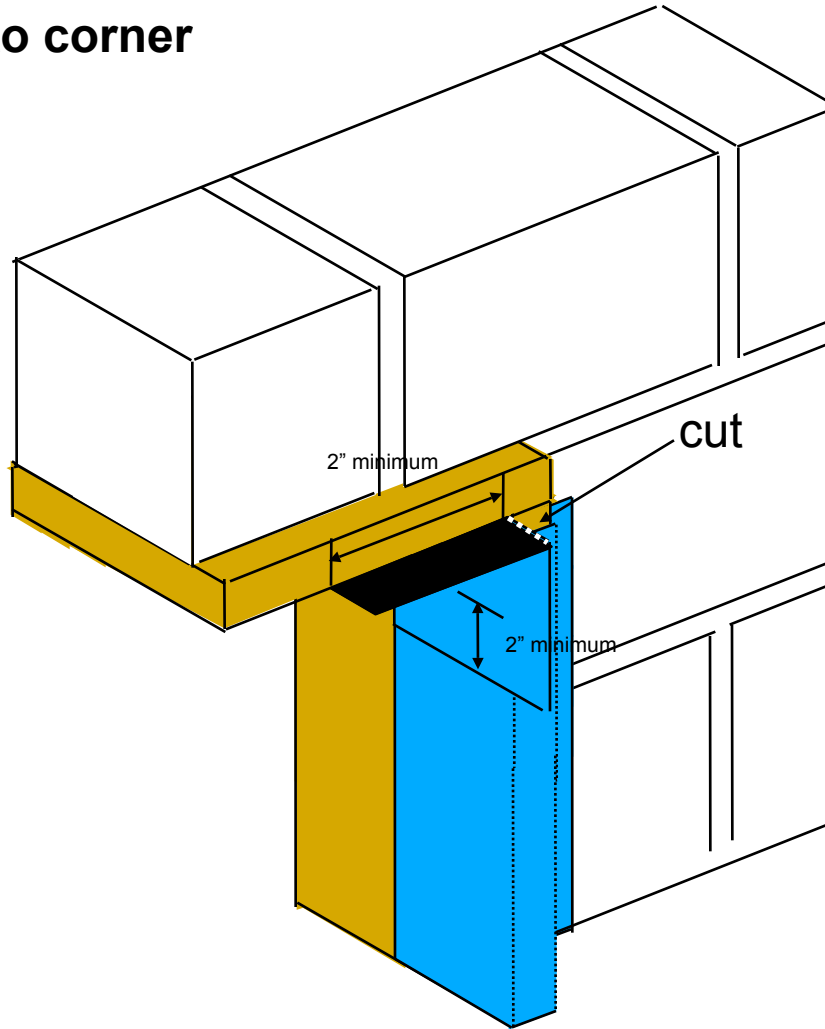
**SILL  
CORNER  
DETAIL**

**Fold CCW-705 over  
buck and onto wall  
surface, bonding in  
place**



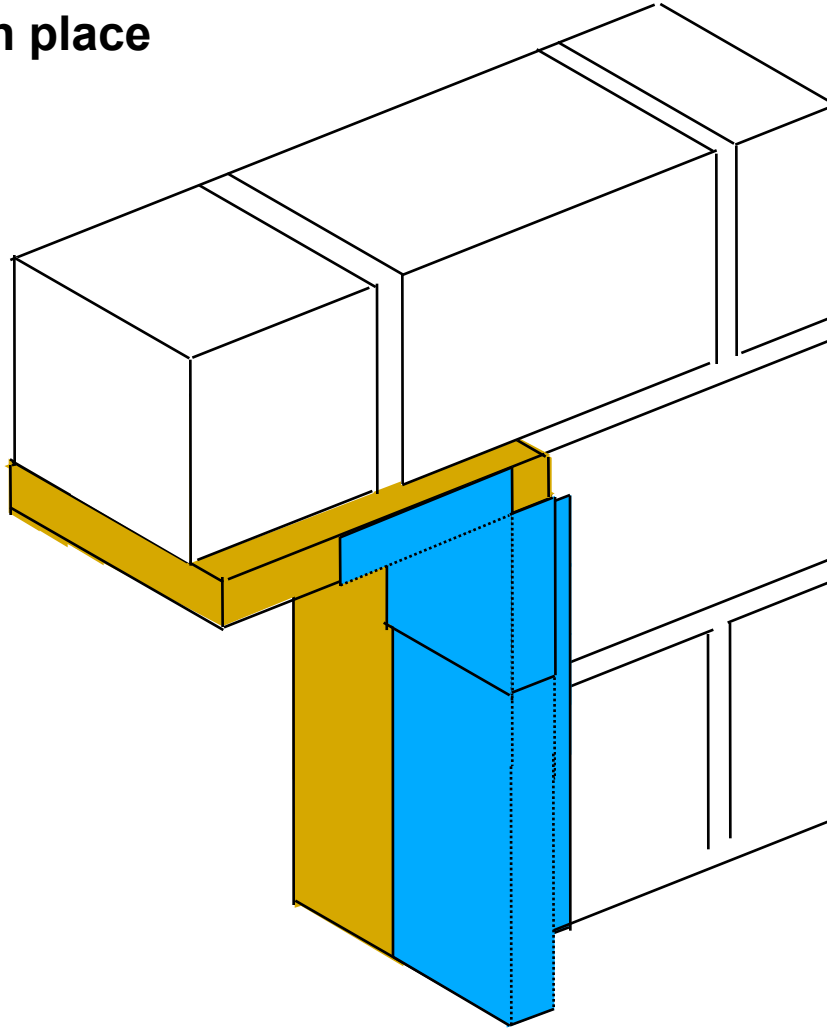
HEAD  
CORNER  
DETAIL

**Bond a piece of  
CCW-705 into corner  
as shown**



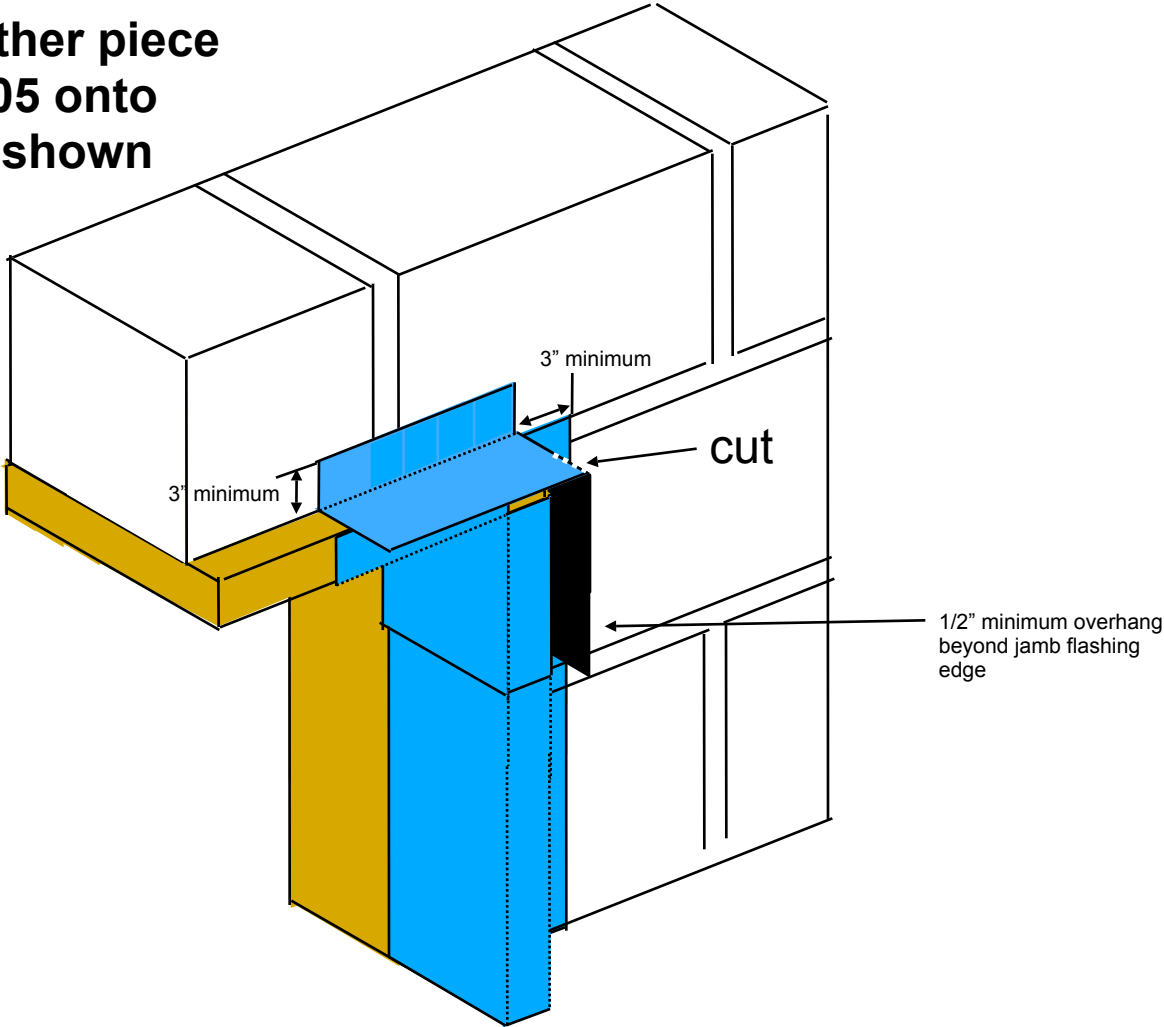
HEAD  
CORNER  
DETAIL

**Fold onto buck and  
bond flaps in place  
as shown**

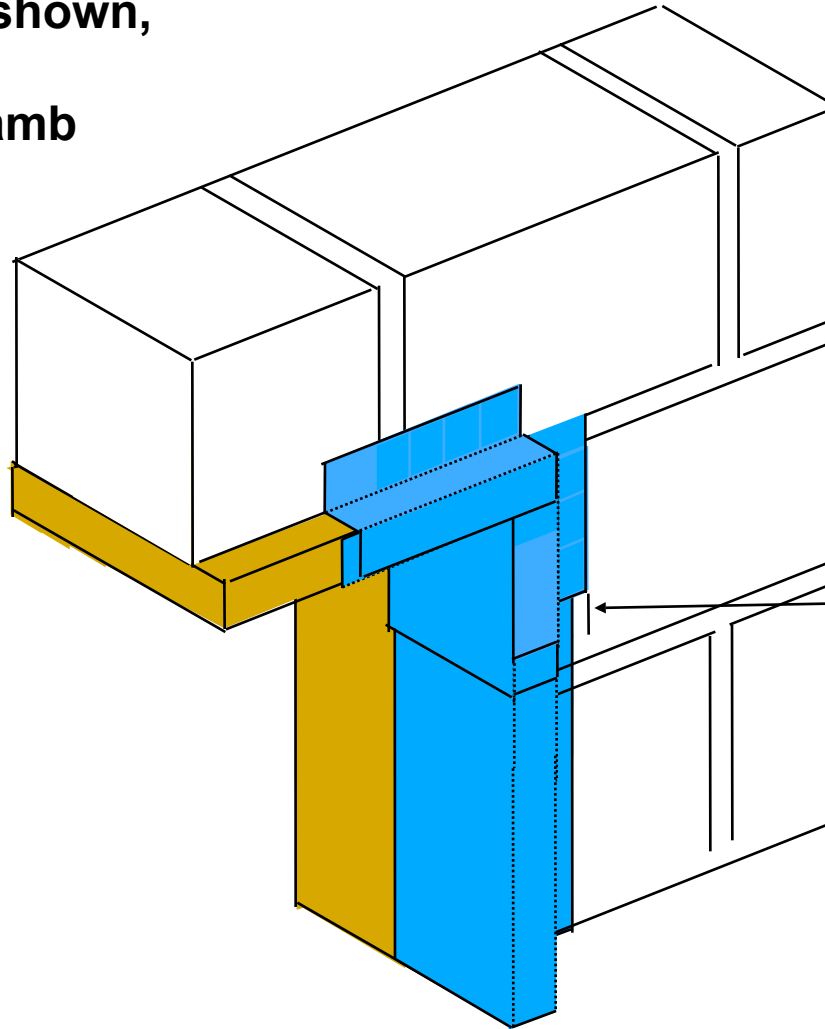


HEAD  
CORNER  
DETAIL

**Bond another piece  
of CCW-705 onto  
corner as shown**



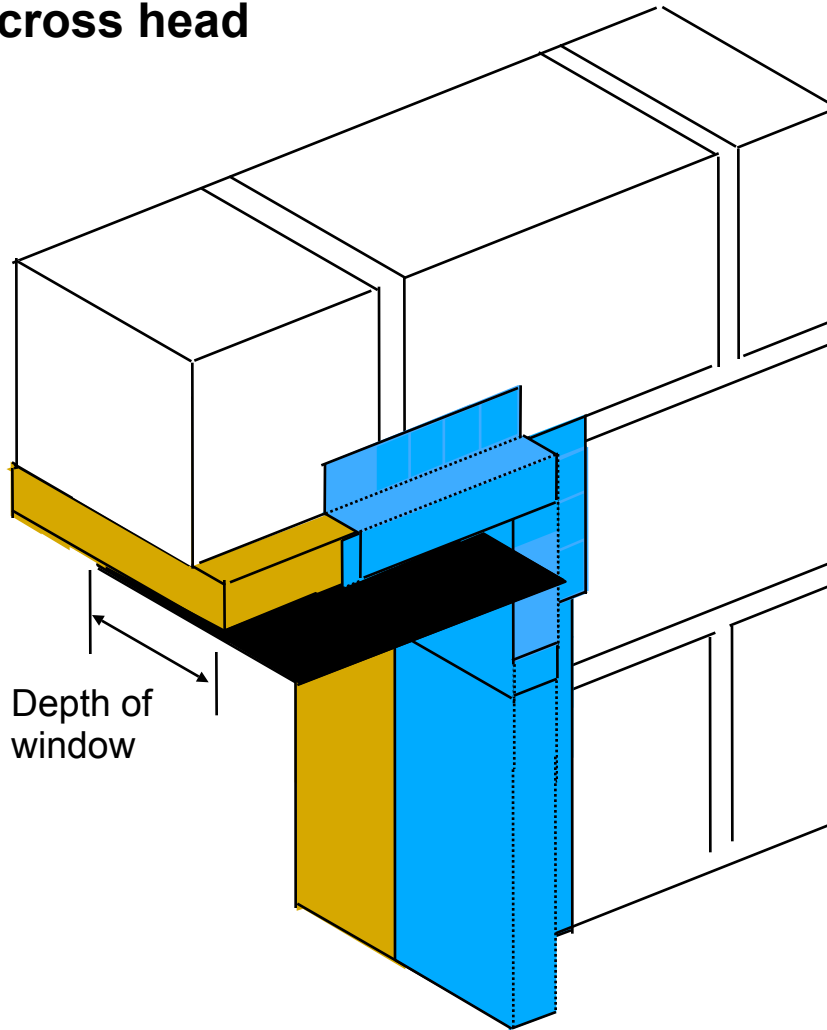
**Bond flaps in place  
over buck as shown,  
with head flap  
overlapping jamb  
flap**



**HEAD  
CORNER  
DETAIL**

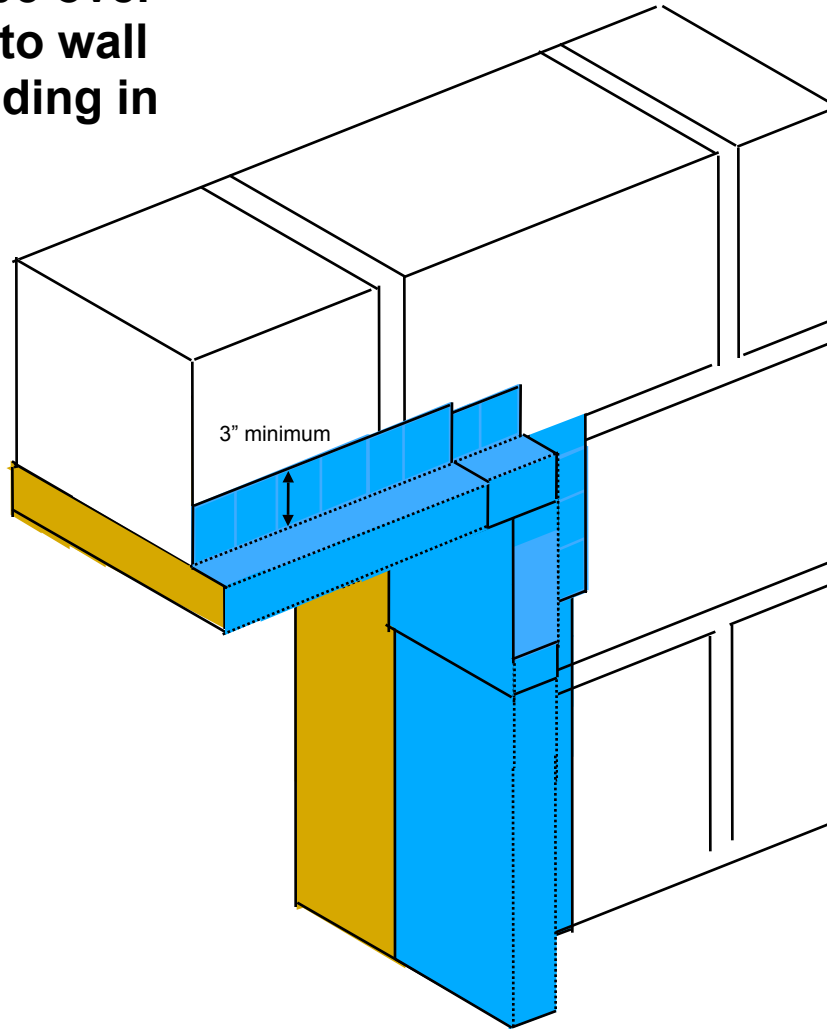
1/2" minimum overhang  
beyond jamb flashing  
edge

**Bond piece of CCW-705  
onto buck across head  
as shown**



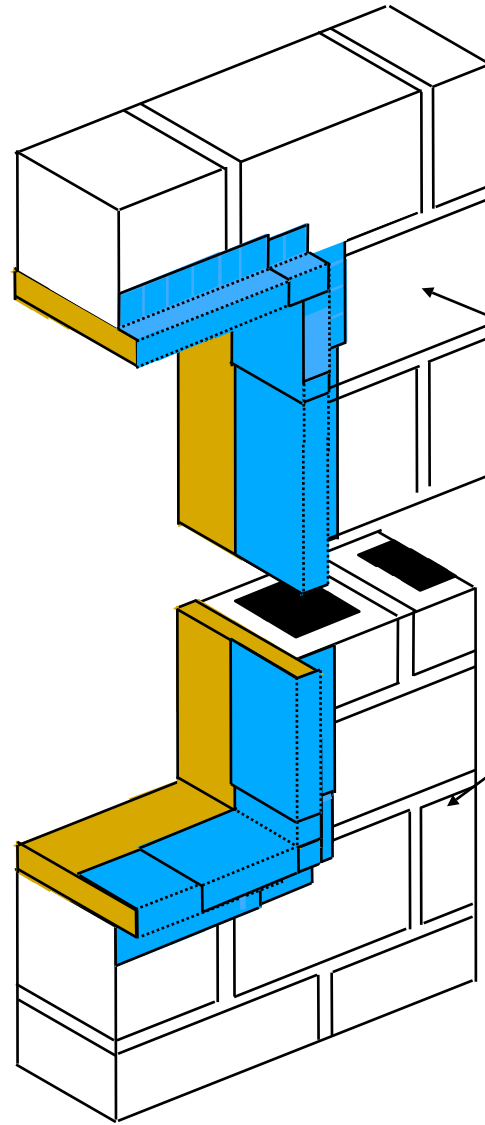
**HEAD  
CORNER  
DETAIL**

**Fold CCW-705 over  
buck and onto wall  
surface, bonding in  
place**



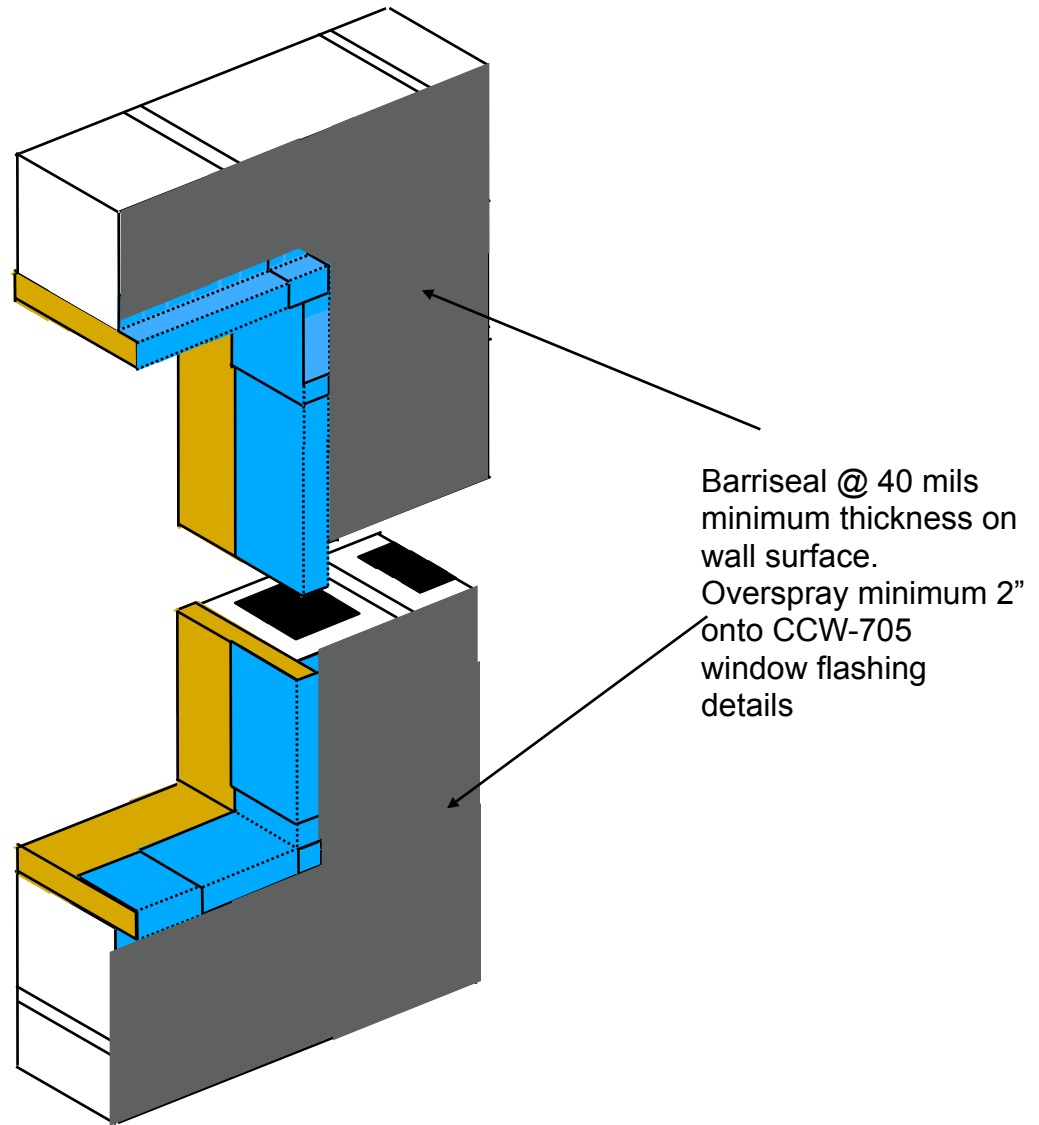
HEAD  
CORNER  
DETAIL

**Cover wall with 40 mil CCW  
Air & Vapor Barrier**

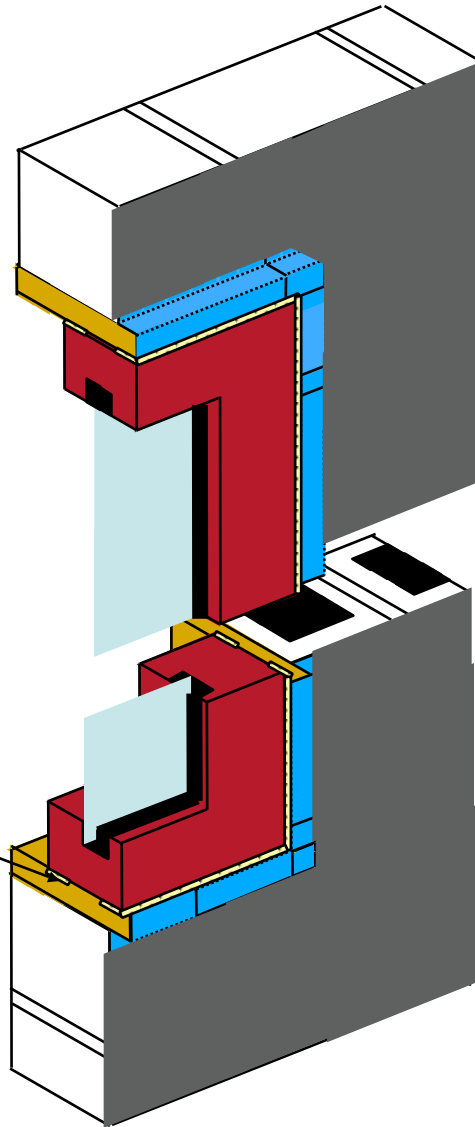


Barriseal @ 40 mils  
minimum thickness on  
wall surface.  
Overspray minimum 2"  
onto CCW-705  
window flashing  
details

**Cover wall with 40 mil CCW  
Air & Vapor Barrier**

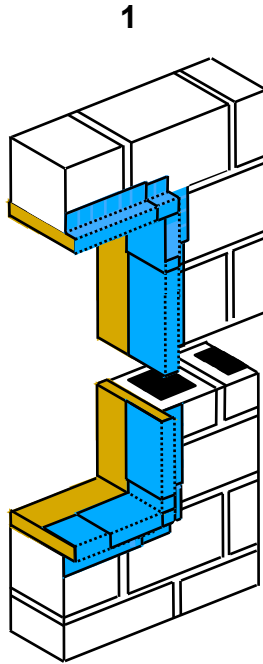


**Seal the window to the  
CCW-705 in the opening with  
sealant or foam**

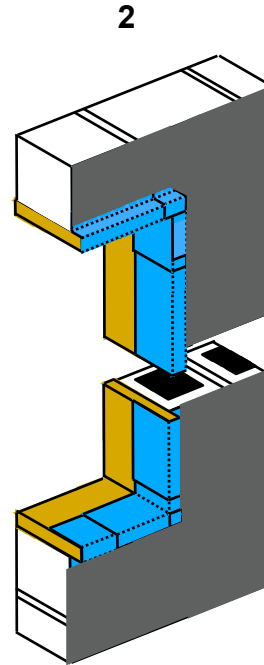


Foam or sealant  
by others

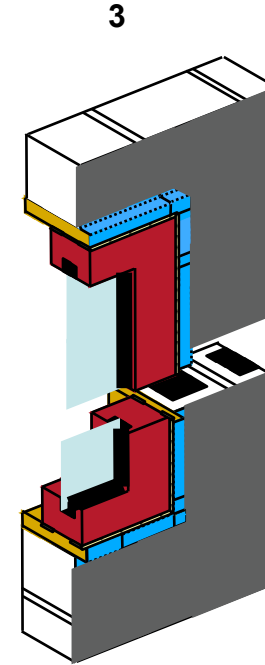
## Example – Window Opening with Lumber Buck



Wrap opening with CCW-705, bearing 3" minimum onto wall surface on all sides of the opening. CCW-705 shall extend into the opening the depth of the window or more.



Coat wall with minimum 40 mils Barriseal, lapping onto CCW-705 2" minimum



Install window into opening, providing an airtight seal with foam or sealant on the interior side and a water-tight on the exterior side with foam, sealant or another course of CCW-705.