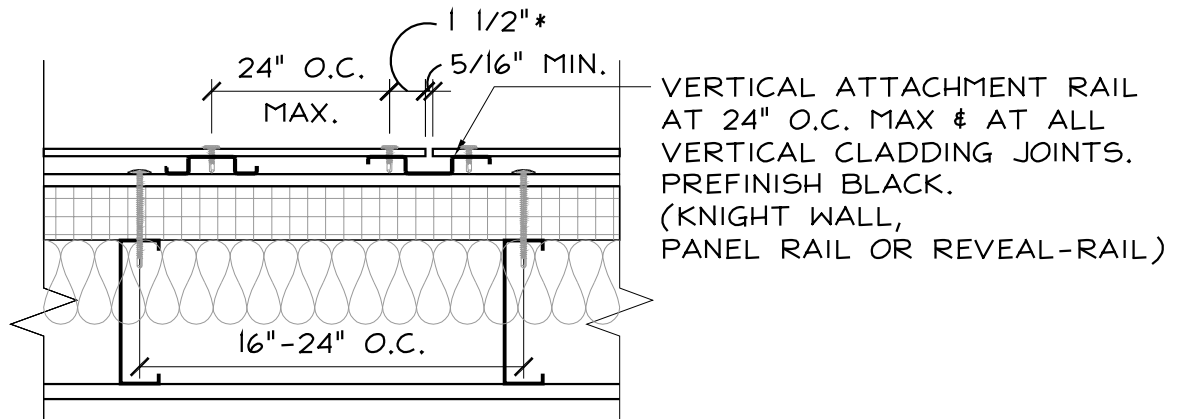


TYPICAL ARMORWALL PLUS WALL ASSEMBLY

SCALE: 1 1/2" = 1'-0"

(SECTION DETAIL)



TYPICAL ARMORWALL PLUS WALL ASSEMBLY

SCALE: 1 1/2" = 1'-0"

(PLAN DETAIL)

PACE

BUILDING ENVELOPE REPRESENTATIVES

One Rockdale Street | Braintree, MA 02184
781-541-5060 | www.pacerepresentatives.com

Contents: RAINSCREEN CLADDING w/ INSTALLATION RAILS,
DUPONT ARMORWALL PLUS STRUCTURAL
INSULATED SHEATHING & METAL STUD BACK-UP

Sketch #:

SK-01

Sheet: 1 of 1