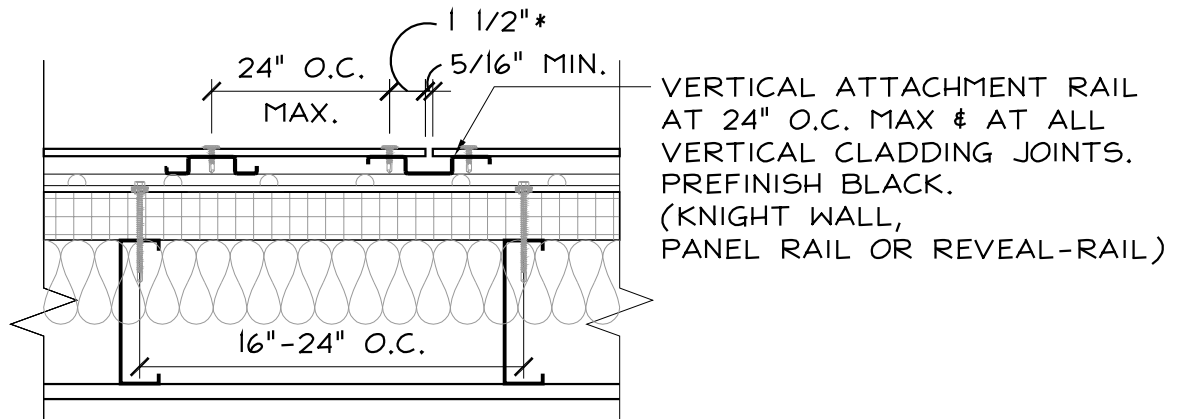


## TYPICAL THERMAX WALL SYSTEM ASSEMBLY

SCALE: 1 1/2" = 1'-0"

(SECTION DETAIL)



## TYPICAL THERMAX WALL SYSTEM ASSEMBLY

SCALE: 1 1/2" = 1'-0"

(PLAN DETAIL)

**PACE**

BUILDING ENVELOPE REPRESENTATIVES

One Rockdale Street | Braintree, MA 02184  
781-541-5060 | www.pacerepresentatives.com

Contents: RAINSCREEN CLADDING w/ DIRECT FASTEN CLADDING ATTACHMENT SYSTEM, THERMAX WALL SYSTEM & METAL STUD BACK-UP

Sketch #:

**SK-01**

Sheet: 1 of 1