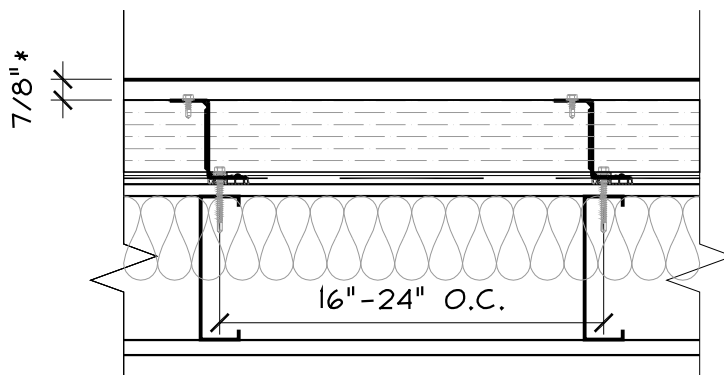


METAL PANEL WALL ASSEMBLY - VERTICAL

SCALE: 1 1/2" = 1'-0"

(SECTION DETAIL)



NOTE:

* METAL PANEL DEPTH MAY VARY DEPENDING ON PRECISION SERIES PANEL SPECIFIED.

METAL PANEL WALL ASSEMBLY - VERTICAL

SCALE: 1 1/2" = 1'-0"

(PLAN DETAIL)