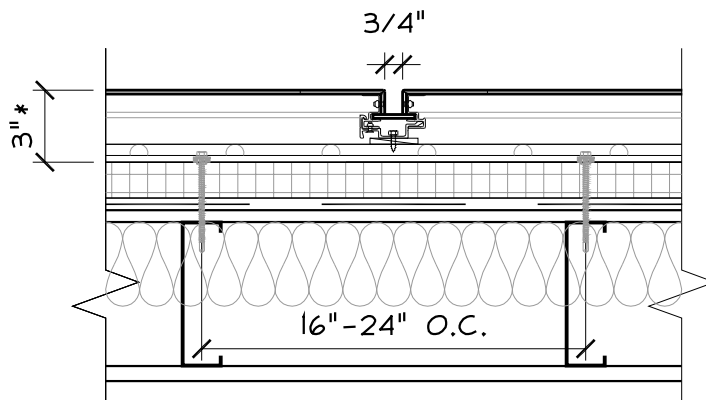


## TYPICAL MCM WALL ASSEMBLY

SCALE: 1 1/2" = 1'-0"

(SECTION DETAIL)



**NOTE:**

\* FABRICATED MCM SYSTEM DIMENSION INCLUDES 1/4" SHIM SPACE. MAXIMUM 3" SYSTEM DEPTH WHEN NFPA 285 COMPLIANCE IS REQUIRED.

## TYPICAL MCM WALL ASSEMBLY

SCALE: 1 1/2" = 1'-0"

(PLAN DETAIL)