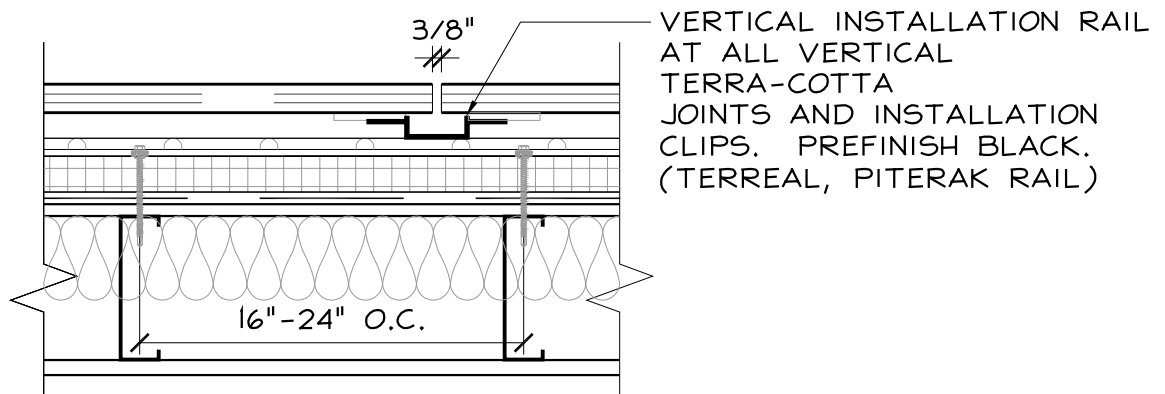


TYPICAL TERRA-COTTA WALL ASSEMBLY

SCALE: 1 1/2" = 1'-0"

(SECTION DETAIL)



TYPICAL TERRA-COTTA WALL ASSEMBLY

SCALE: 1 1/2" = 1'-0"

(PLAN DETAIL)

PACE

BUILDING ENVELOPE REPRESENTATIVES

One Rockdale Street | Braintree, MA 02184
781-541-5060 | www.pacerepresentatives.com

Contents: TERRA-COTTA CLADDING w/ THERMALLY BROKEN RAINSREEN ATTCHMENT SYSTEM, RIGID CONTINUOUS INSULATION & METAL STUD BACK-UP

Sketch #:

SK-01

Sheet: 1 of 1