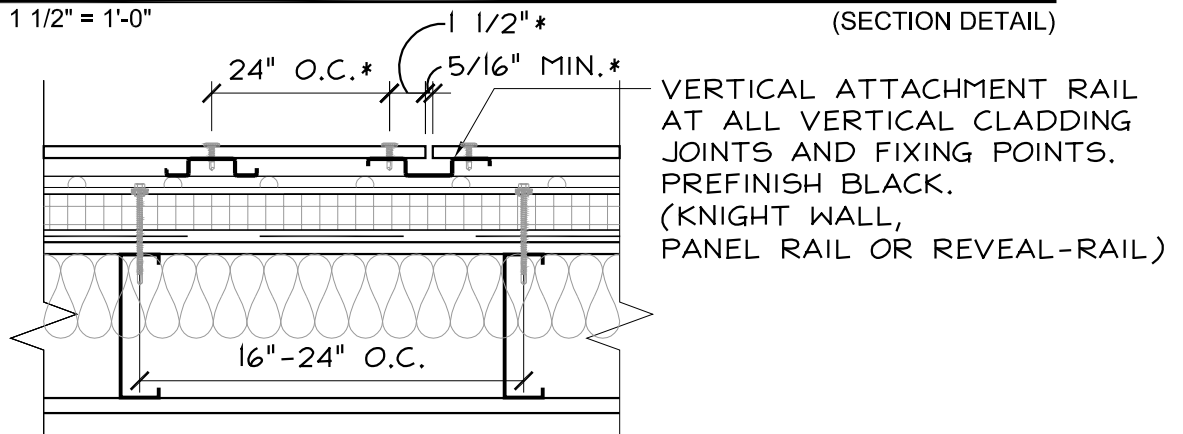


TYPICAL UHPC/GFRC WALL ASSEMBLY

SCALE: 1 1/2" = 1'-0"

(SECTION DETAIL)



TYPICAL UHPC/GFRC WALL ASSEMBLY

SCALE: 1 1/2" = 1'-0"

(PLAN DETAIL)